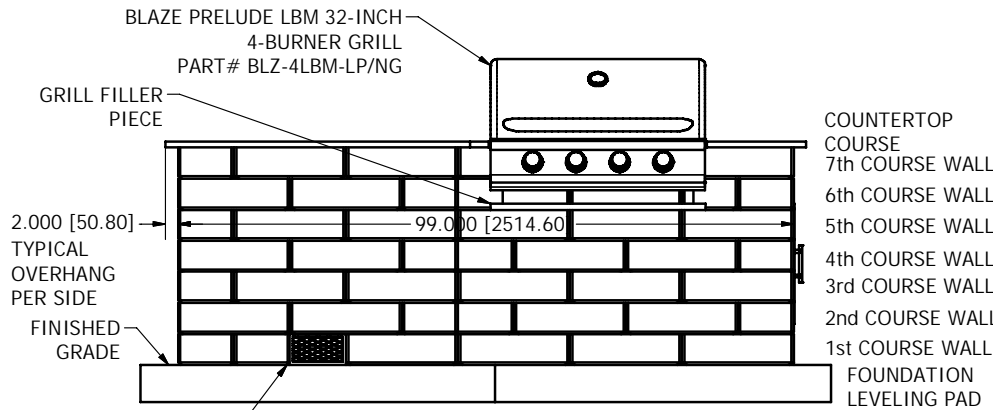


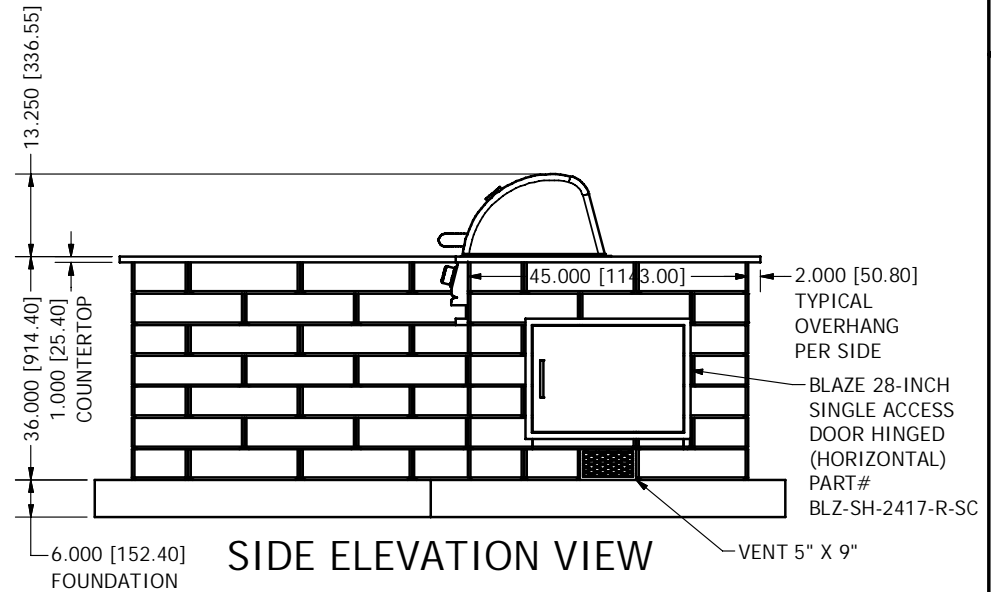
ISOMETRIC VIEW

NOTE:

1. WALL UNITS TO BE INSTALLED WITH CHANNEL ON THE BOTTOM SIDE IN ORDER TO GET THE PROPER CONTEMPORARY ESTHETIC LOOK. (WALL PRODUCT TO BE INVERTED 180 DEGREES FROM FINISHED PALLET WHEN INSTALLED).
2. SECURE EACH UNIT USING APPROVED ADHESIVE OR BONDING AGENT FOLLOWING APPLICATION DIRECTIONS PROVIDED BY PRODUCT SUPPLIER.
3. THIS DESIGN REQUIRES CUTTING UNITS TO PROPERLY FIT THE GRILL TOP AND ACCESS DOOR.
4. BUILT-IN GRILL INSERT AND ACCESS DOOR TO BE INSTALLED PER MANUFACTURES RECOMMENDATIONS.
5. STRUCTURAL SUPPORT FOR BLOCK UNITS OVER OPENINGS ON SHOWN FOR VISUAL PURPOSES.

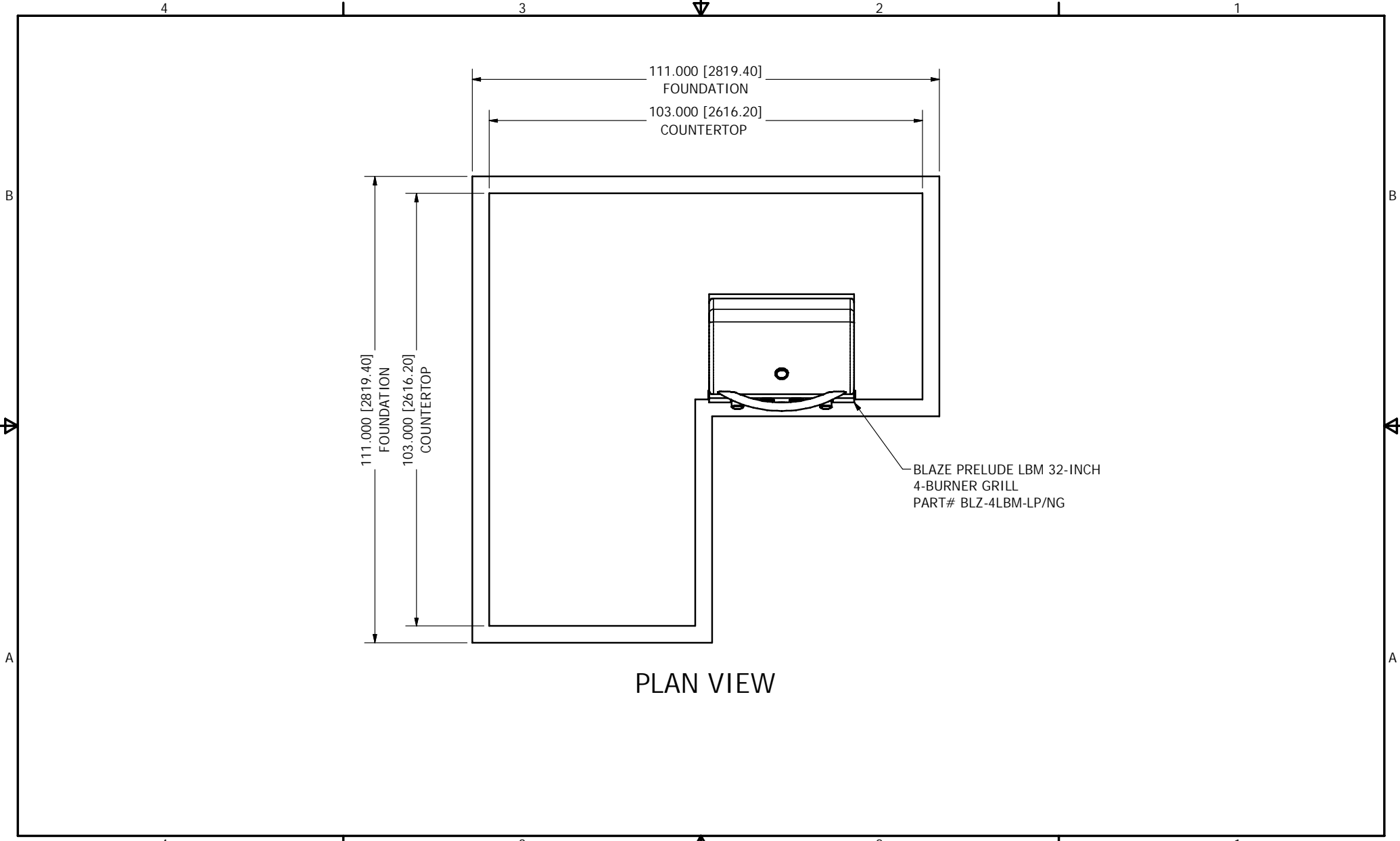


FRONT ELEVATION VIEW



SIDE ELEVATION VIEW

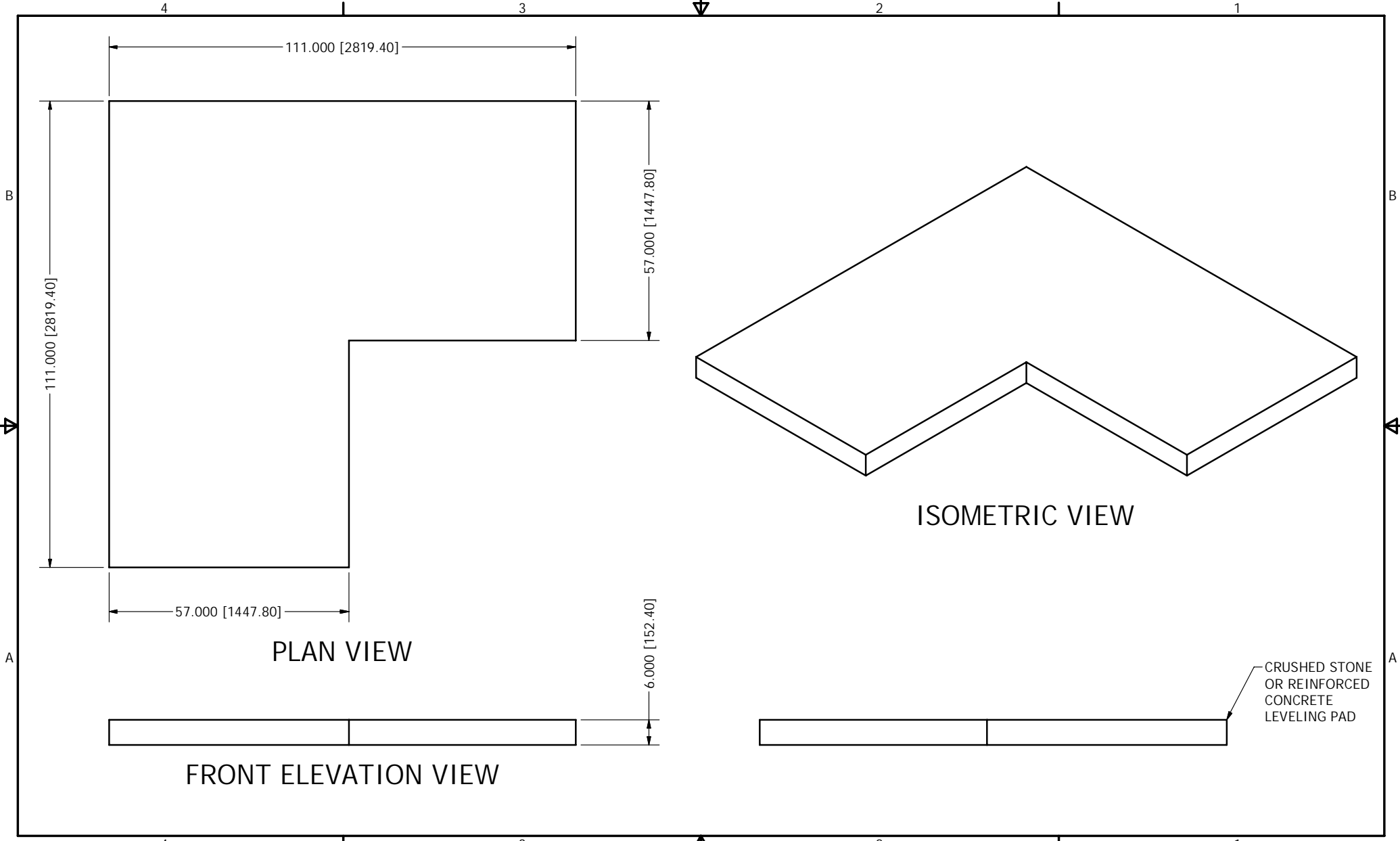
PRODUCT COUNTS:
(140) TOTAL WALL UNITS



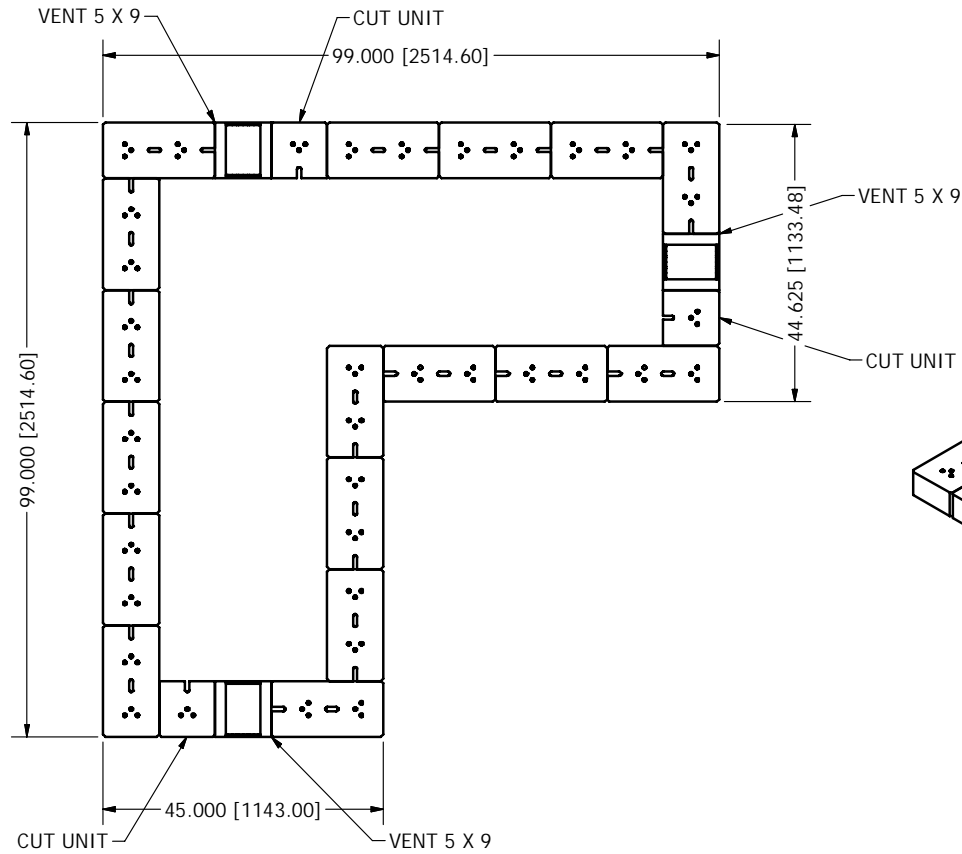
PLAN VIEW

PRELIMINARY

OUTDOOR LIVING DESIGNS

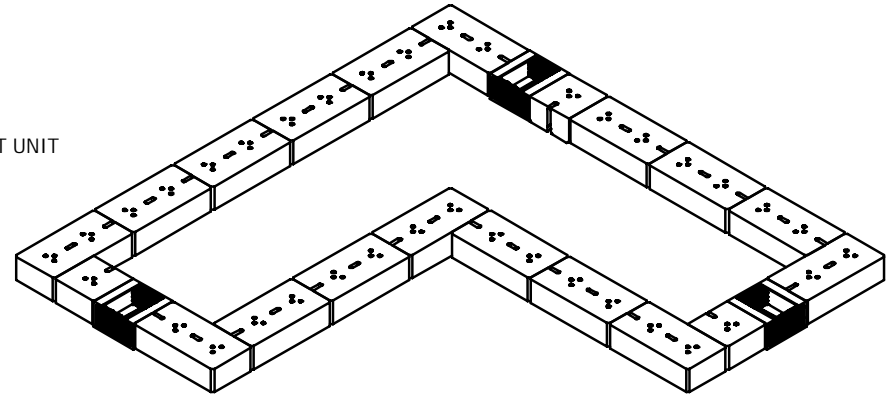


CRUSHED STONE
OR REINFORCED
CONCRETE
LEVELING PAD

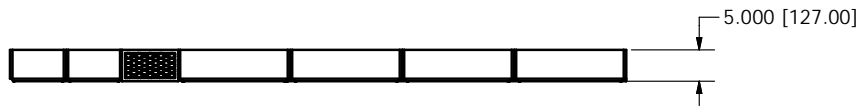


PLAN VIEW

NOTE:
 1. WALL UNITS TO BE INSTALLED WITH CHANNEL ON THE BOTTOM SIDE
 (PRODUCT IS TO BE INVERTED 180 DEGREES FROM FINISHED PALLET).



ISOMETRIC VIEW

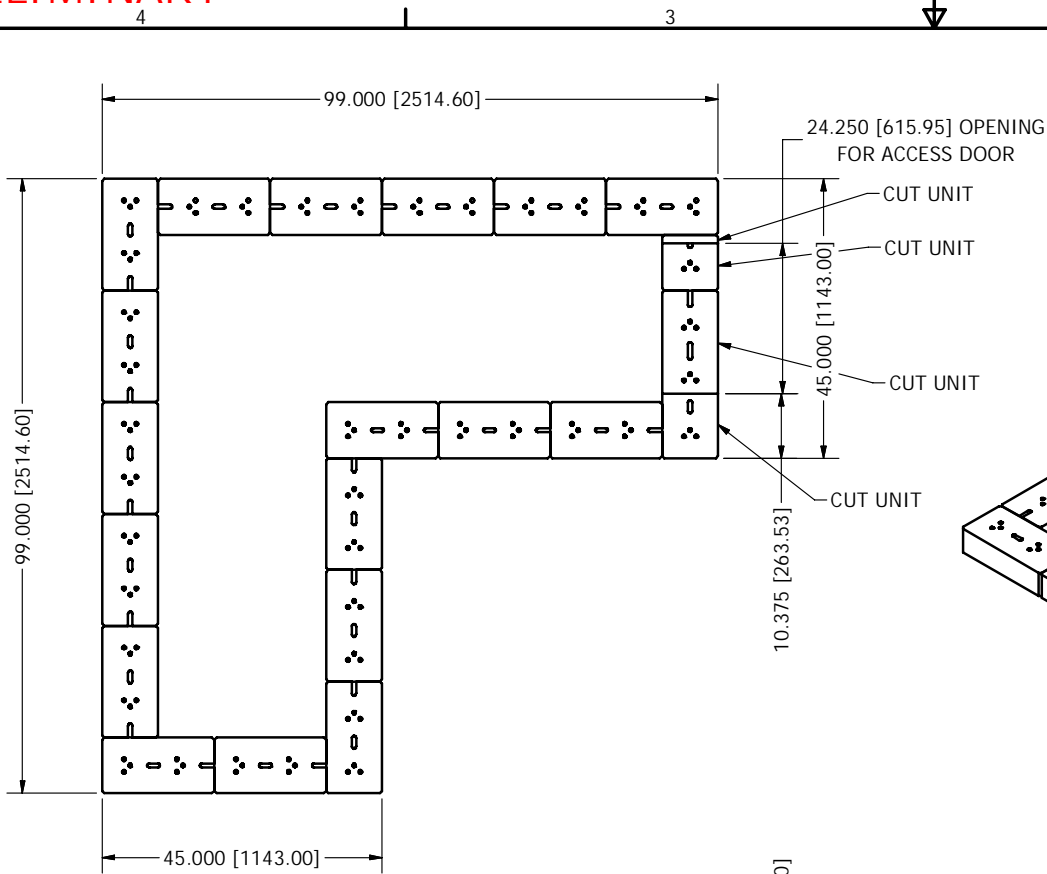


FRONT ELEVATION VIEW



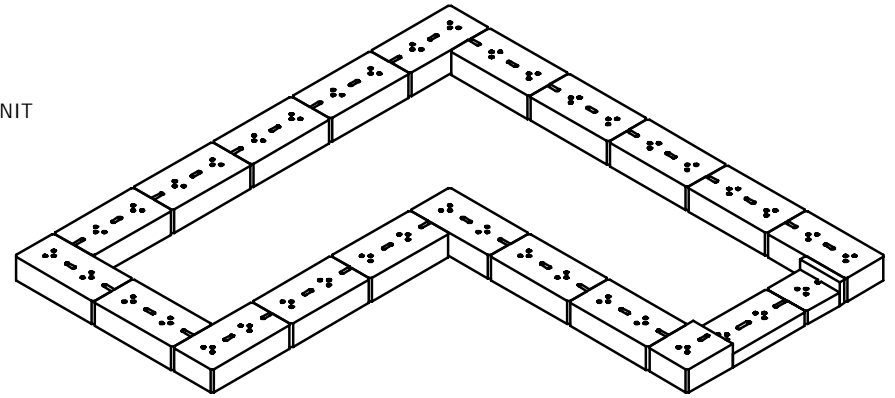
SIDE ELEVATION VIEW

PRODUCT COUNTS:
 (20) TOTAL WALL UNITS

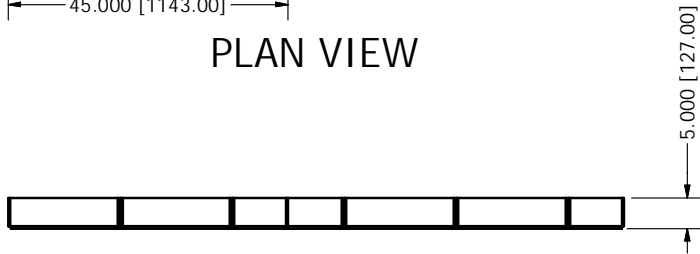


PLAN VIEW

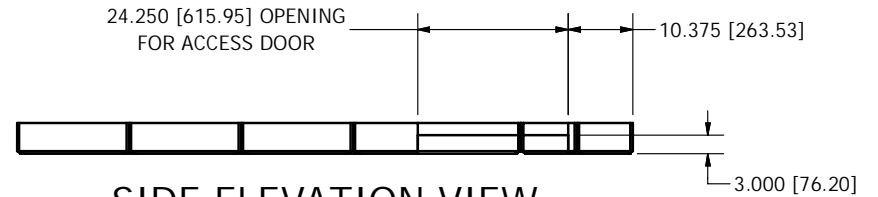
NOTE:
 1. WALL UNITS TO BE INSTALLED WITH CHANNEL ON THE BOTTOM SIDE (PRODUCT IS TO BE INVERTED 180 DEGREES FROM FINISHED PALLET).



ISOMETRIC VIEW



SIDE ELEVATION VIEW

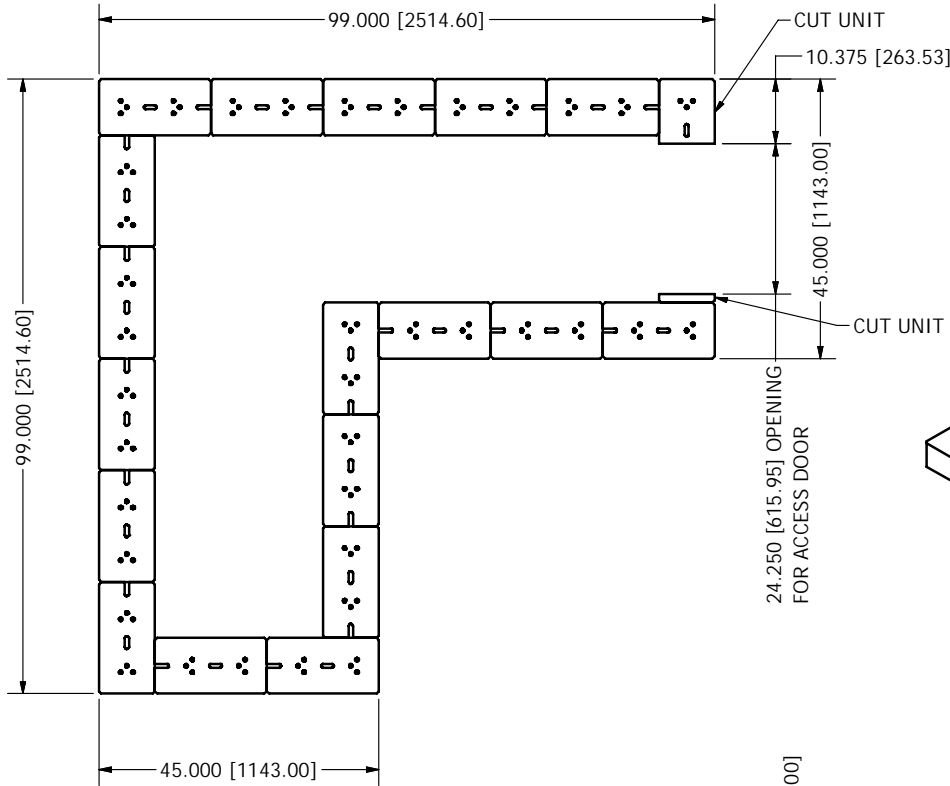


SIDE ELEVATION VIEW

PRODUCT COUNTS:
 (22) TOTAL WALL UNITS

PRELIMINARY

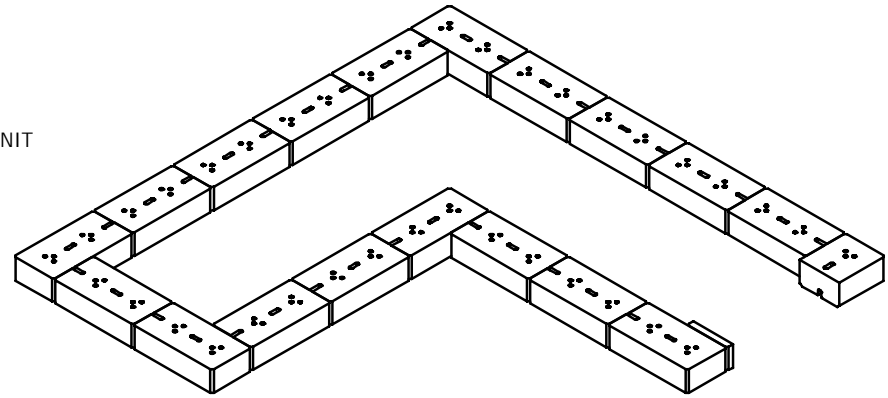
OUTDOOR LIVING DESIGNS



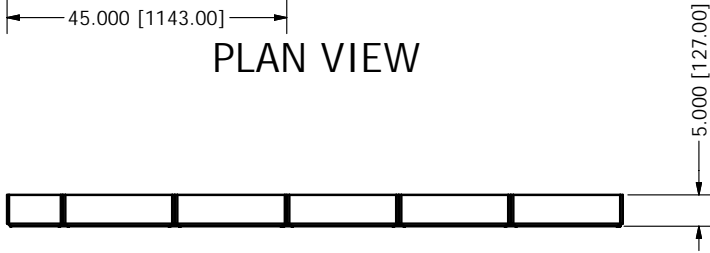
PLAN VIEW

NOTE:

1. WALL UNITS TO BE INSTALLED WITH CHANNEL ON THE BOTTOM SIDE (PRODUCT IS TO BE INVERTED 180 DEGREES FROM FINISHED PALLET).



ISOMETRIC VIEW

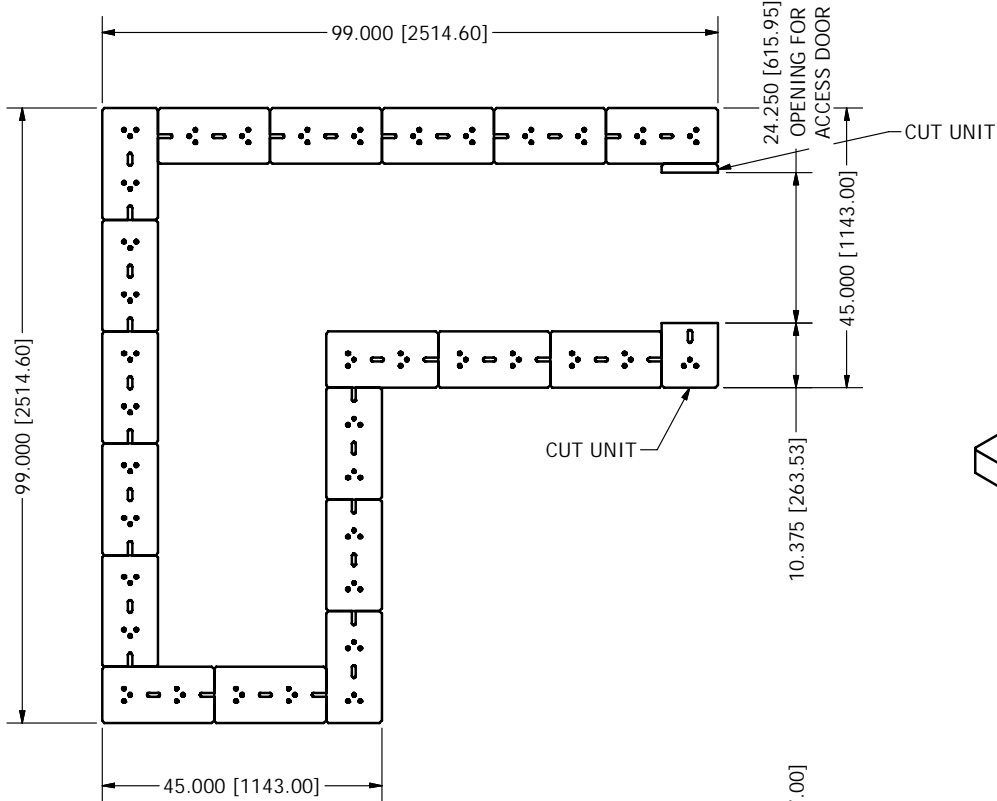


FRONT ELEVATION VIEW

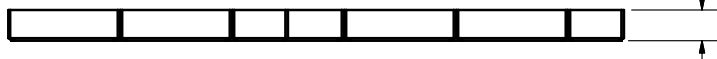


SIDE ELEVATION VIEW

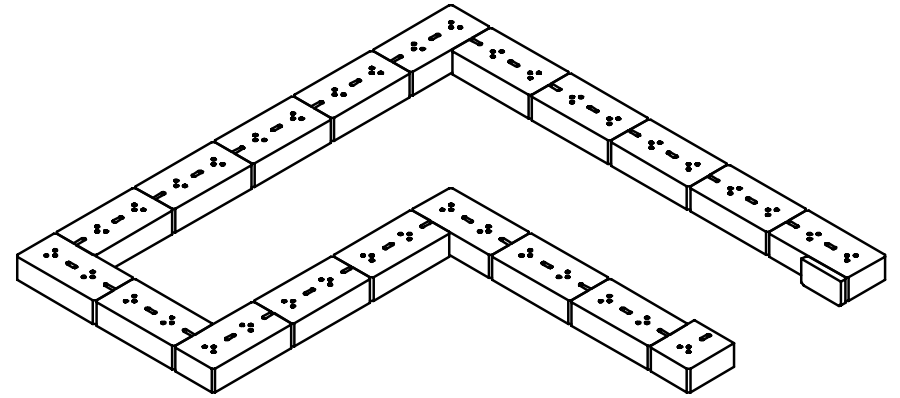
PRODUCT COUNTS:
(20) TOTAL CAP UNITS



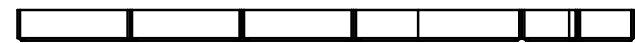
PLAN VIEW



FRONT ELEVATION VIEW



ISOMETRIC VIEW



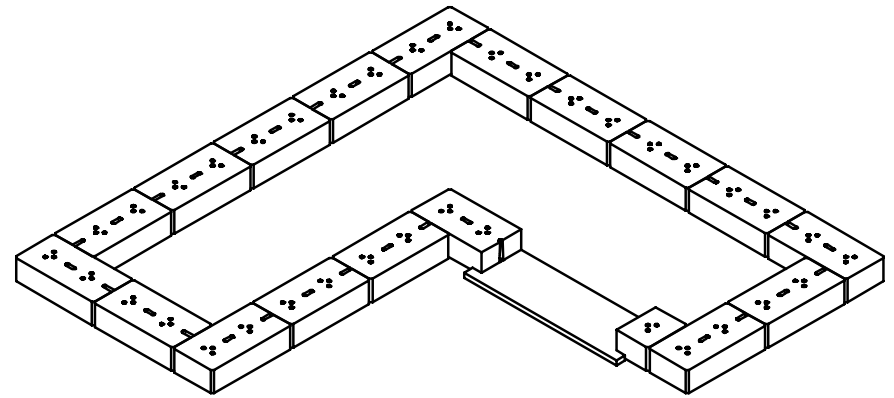
SIDE ELEVATION VIEW

NOTE:
 1. WALL UNITS TO BE INSTALLED WITH CHANNEL ON THE BOTTOM SIDE (PRODUCT IS TO BE INVERTED 180 DEGREES FROM FINISHED PALLET).

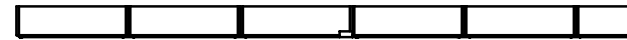
PRODUCT COUNTS:
 (20) TOTAL CAP UNITS

NOTE:

- 1. WALL UNITS TO BE INSTALLED WITH CHANNEL ON THE BOTTOM SIDE (PRODUCT IS TO BE INVERTED 180 DEGREES FROM FINISHED PALLET).
- 2. GRILL FILLER PIECE IS TO BE MADE FROM THE SAME MATERIAL AS THE COUNTER TOP, (1" ± THICK).
- 3. UNLESS OTHERWISE DIRECTED INSTALL AND SECURE GRILL FILLER PIECE WITH APPROVED ADHESIVE OR BONDING AGENT.

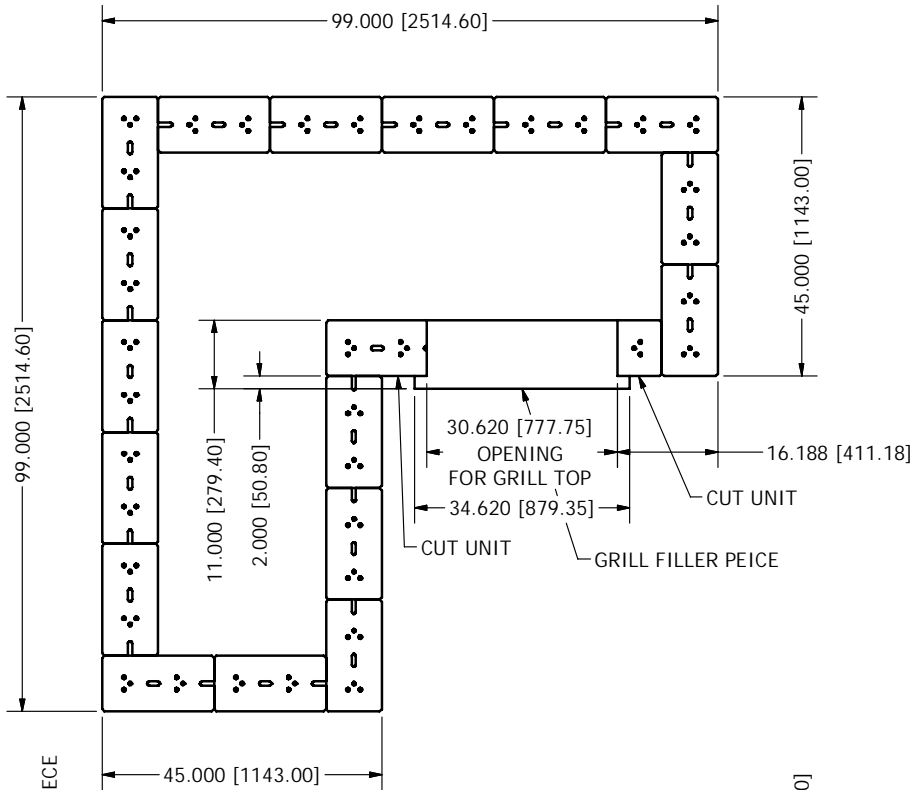


ISOMETRIC VIEW

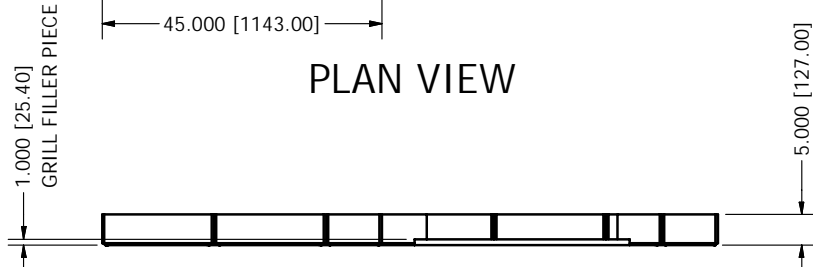


SIDE ELEVATION VIEW

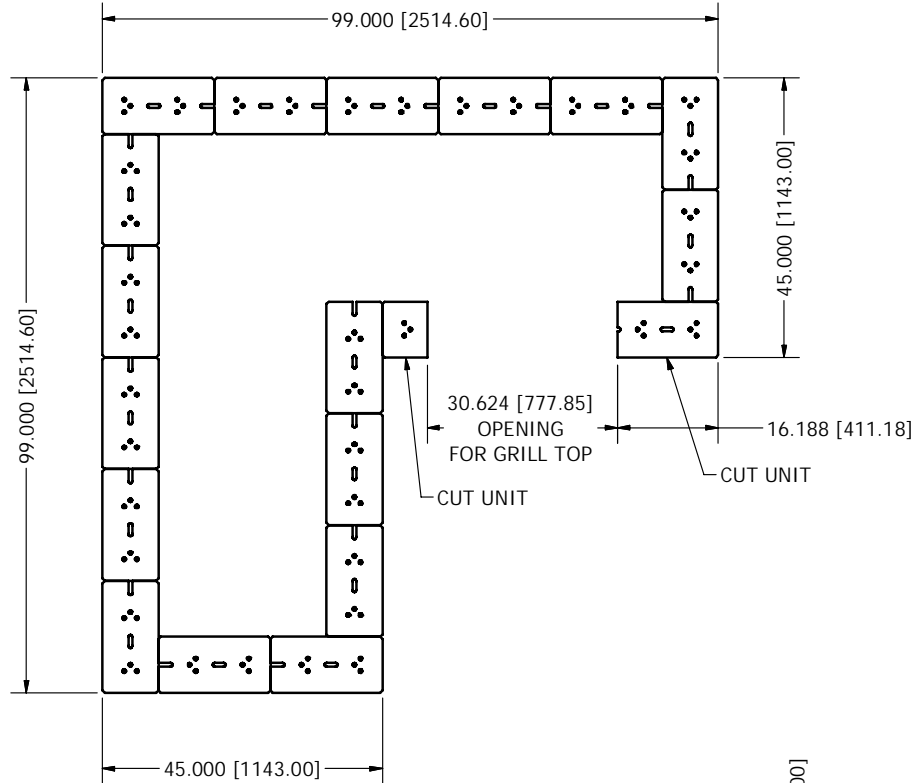
PRODUCT COUNTS:
(19) TOTAL WALL UNITS



PLAN VIEW

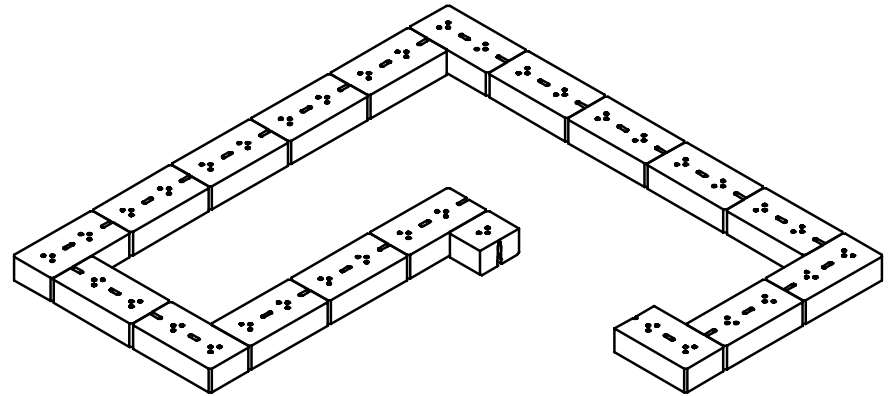


FRONT ELEVATION VIEW



PLAN VIEW

NOTE:
1. WALL UNITS TO BE INSTALLED WITH CHANNEL ON THE BOTTOM SIDE
(PRODUCT IS TO BE INVERTED 180 DEGREES FROM FINISHED PALLET).



ISOMETRIC VIEW



FRONT ELEVATION VIEW

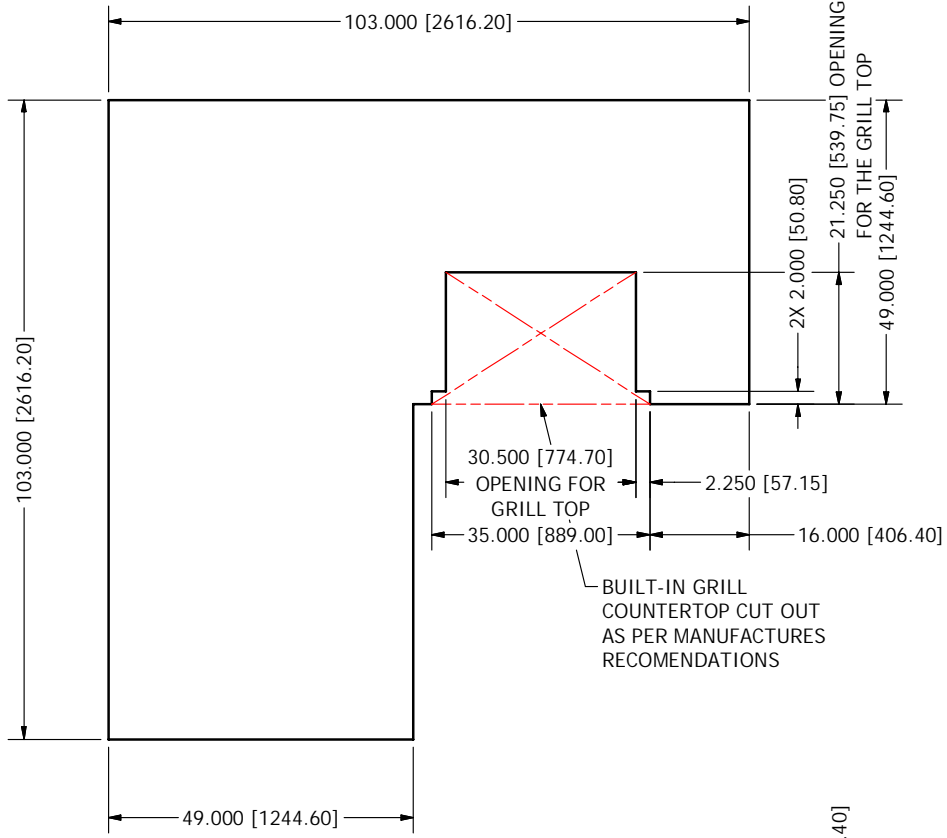


SIDE ELEVATION VIEW

PRODUCT COUNTS:
(19) TOTAL WALL UNITS

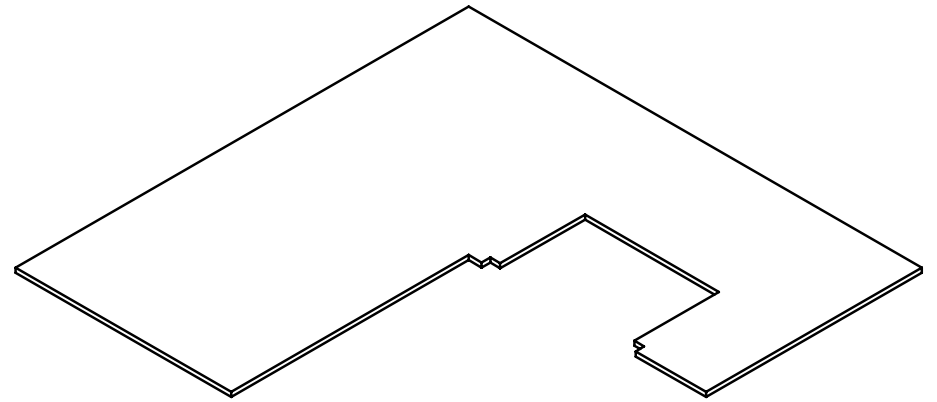
PRELIMINARY

OUTDOOR LIVING DESIGNS



NOTE:

1. UNLESS OTHERWISE DIRECTED INSTALL AND SECURE COUNTERTOP WITH APPROVED ADHESIVE OR BONDING AGENT.



ISOMETRIC VIEW

PLAN VIEW

FRONT ELEVATION VIEW

SIDE ELEVATION VIEW